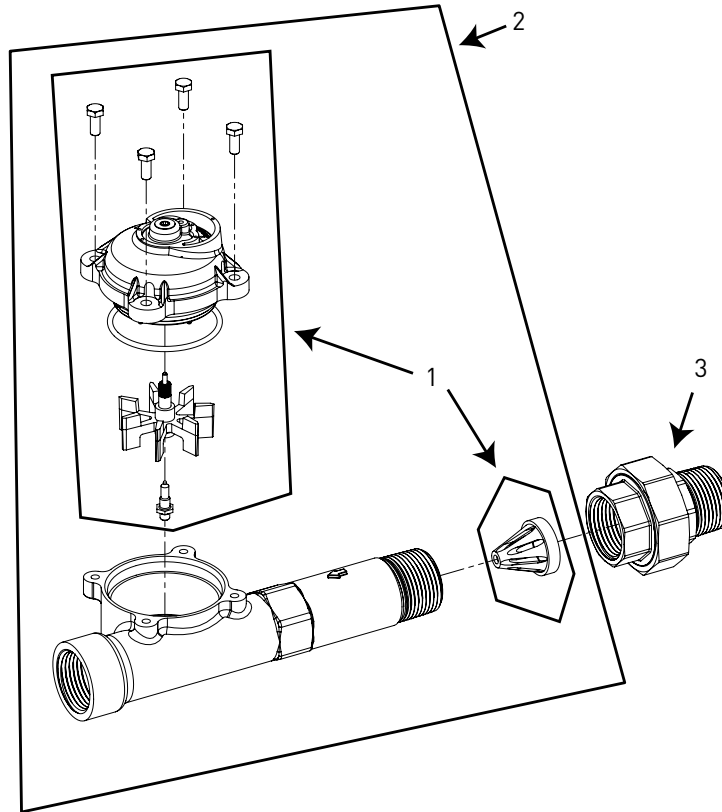


# 1-INCH STAINLESS STEEL METER ASSEMBLY



**⚠ IMPORTANT:** For valves equipped with electromechanical timers and stainless steel meters, refer to the Meter Dome and Union Orientation section.

Item No.	QTY	Part No.	Description
1	1	62049-01	Service Kit, 1 inch & 1-1/2 inch Meter, Standard Range
	1	62049-02	Service Kit, 1 inch & 1-1/2 inch Meter, Extended Range
2	1	61932-10	Meter Assy, 1 inch, Inline, Stainless Steel, NPT, Standard Range
	1	61932-11	Meter Assy, 1 inch, Inline, Stainless Steel, NPT, Extended Range
	1	61932-20	Meter Assy, 1 inch, Inline, Stainless Steel, BSP, Standard Range
	1	61932-21	Meter Assy, 1 inch, Inline, Stainless Steel, BSP, Extended Range
3	1	44022	Union, 1 inch, NPT (Optional on models with electronic controls)
	1	44023	Union, 1 inch, BSP (Optional on models with electronic controls)